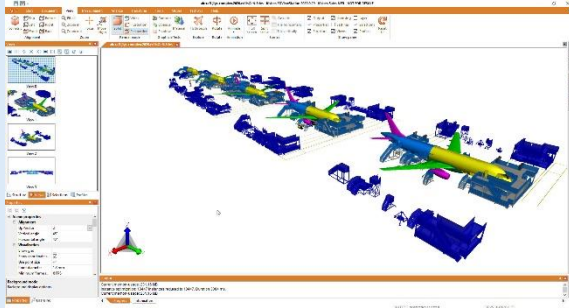
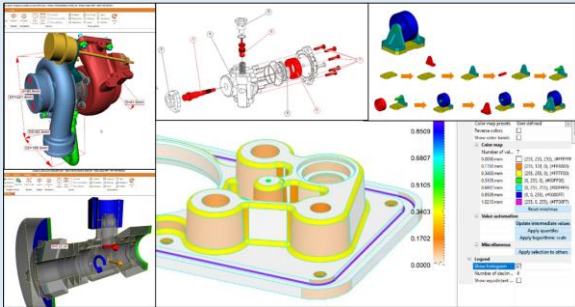


What YOU GET



KISTERS 3DViewStation works with even the largest of assemblies, such as vehicles, machines or buildings – up to millions of parts.

3DViewStation is a powerful 3D CAD viewer and universal viewer for engineers and designers, made for 3D viewing, 3D CAD analysis, 2D viewing, Office viewing, technical documentation and 3D publishing. If you are looking for an intuitive, easy-to-use application to load CAD data, measure, slice, and to compare components or assemblies quickly and easily – you've found it. We have done our best to ensure that your work with 3DViewStation is a real pleasure.



Explore and analyze your CAD data. Quickly navigate through assemblies, select parts, show or hide them, measure, cut or explode an assembly and much more.

Your BENEFITS



- 1 SAVE TIME AND MONEY**
Speed up the process chain in your company with our 3DViewStation Desktop.
- 2 ALL-IN-ONE SOLUTION**
Analyze your models with more than 180 functions available: sectioning, measurement and much more.
- 3 EASY TO USE**
Intuitive UI, easy to install - easy for everyone. Start working instantly.
- 4 MANY DATA FORMATS – PLUS MULTICAD**
View all your daily CAD models and documents – we support more than 70 different file formats.
- 5 ULTRA FAST LOAD TIMES**
Work with your files immediately - load millions of parts in seconds instead of waiting for your models to load.
- 6 LARGE MODEL VISUALIZATION**
Work with massively large data (up to 10,000,000 objects) – due to the high-end VS rendering kernel.
- 7 FOR EVERYONE**
For all users and departments: from sales and engineering to manufacturing and project reviews.
- 8 INTEGRATION AND AUTOMATION**
Use our comprehensive API for any kind of automation and integration (PLM, ERP,...).

If you would like more information or a demo license to test 3DViewStation Desktop on your own, please contact us at:

sales-viewer@kisters.de
+49 2408 9385 517
viewer.kisters.de

sales-viewer@kisters.net
+1 916 723 1441
3dviewstation.com



KISTERS

3DViewStation Desktop



REUSE, EXPLORE & VIEW YOUR CAD DATA

- make the most of your 3D data

Fast MultiCAD Visualization

for Desktop, Web, Mobile and VR

The KISTERS 3DViewStation combines the best in 3D visualization technology, web-based collaboration, VR technology plus it is revolutionizing speed and rich functionality – with more than 180 functions at your fingertips. Speed up the process chain in your company, from engineering and design to sales and procurement.

3DViewStation is a powerful and robust 2D/3D CAD viewer for all users in need of high performance and rich functionality, no matter what device they are using. It is available as a **Desktop** application, for your daily work, as a server based **WebViewer/Mobile** version, to view your data anywhere, as a **VR-Editon** for an immersive 3D model experience, and as an **Embedded Viewer** in external applications, ranging from PLM to product configurators. All products share an identical user interface and set of functionality.

Load, open, and interact with any size model without waiting for rendering or latency. Use analysis functions such as: sectioning, measurements, smart dimensioning, exploded views and markup capabilities plus other investigative functions to gain insight from your product data. Improve communication, decision making and reduce errors through product data visibility.

Intuitive handling is one of the basic principles of 3DViewStation. We have done our best to ensure that your work with 3DViewStation is a real pleasure. A low training requirement and exceptional ease-of-use drives a high user adoption rate. If you're looking for an intuitive, easy to use application to load 3D CAD data quickly - you have found it.

Our solutions integrate into market-leading solutions, including: PDM / PLM / ERP / DMS / CMS / SLMS / MRO / PCMS / CPQ / QA. They can be integrated into a large number of systems, e.g. Enovia SmarTeam, 3DEXperience from Dassault Systemes, TeamCenter, Active Workspace from Siemens PLM, CIM Database, SAP (ECTR, DVS, CAD-Desktop), Aras Innovator and more.



FORMATS

| | | |
|------------------|------------------|------------------|
| IMPORT 3D | SOLIDWORKS | CGM |
| 3D PDF | STEP | CREO |
| 3DS | STL | DWF, DWG, DXF |
| 3DVS | U3D | GERBER |
| 3DVSXML | VDAFS | GIF |
| ACIS | VRML | HPGL |
| CGR | WAVEFRONT | HPGL/2 |
| CATIA V4,5,6 | EXPORT 3D | JPEG, JPEG2000 |
| COLLADA | 3D PDF | MICROSTATION |
| CPIXML | 3DVS | MS EXCEL |
| CREO | 3DVSXML | MS POWERPOINT |
| DWF/DWFX | 3MF | MS WORD |
| E57 | ACIS | NX DRAWING |
| FILMBOX | FBX | OPEN OFFICE |
| GLTF/GLB | IFC | PNG |
| HICAD | IGES | SE DRAWING |
| IDEAS | JT | SW DRAWING |
| IFC | PARASOLID | TIFF |
| IGES | PRC | EXPORT 2D |
| INVENTOR | STEP | 2D PDF |
| JT | STL | BMP |
| NX | VRML | CGM |
| PARASOLID | IMPORT 2D | DXF |
| PLMXML | 2D PDF | JPG |
| PRC | BMP | PNG |
| PRO/E | CALS | SVG |
| REVIT | V4 DRAWING | * as is |
| RHINO | V5 DRAWING | |
| SOLID EDGE | V6 DRAWING | |

FUNCTIONS

| | | |
|---------------|----------------|----------------------|
| MULTI CAD | ANIMATION | INSTANCING |
| SMART PICKING | SMART IMPORT | CLASH DETECTION |
| MARKUPS | SECTIONING | DRILL HOLE |
| 2D ANNOTATION | CUT CONTOUR | NEUTRAL AXIS |
| 3D ANNOTATION | CUT AREA | WALLTHICKNESS |
| DIMENSIONING | 2D PROJECTION | DRAFTANGLE |
| MASS | PMI IMPORTING | SPLIT |
| AREA | PMI HANDLING | IP PROTECTION |
| VOLUME | PMI VIEWS | CONVEX HULL |
| GRAVITY | TECHDOC | MATERIALS |
| 3D COMPARE | CAD ATTRIBUTES | SKYBOX |
| 2D COMPARE | LARGE PRINTING | UNDO |
| TRANSFORM | 2D STAMPS | XML API |
| DISTANCE | SMART VIEWS | PLUGINS |
| MIRROR | FLYTHROUGH | FULL SCREEN |
| SCALE | SEARCH | 4 SPLIT SCREEN |
| EXPLOSION | FILTER | <i>and many more</i> |
| OFFSET LINES | BOM | |